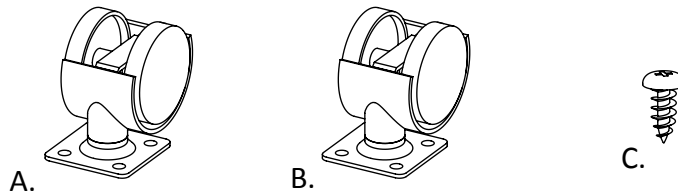


## BEFORE YOU BEGIN

Open, identify, and count all parts prior to assembly.

- A. (2) Swivel Caster
- B. (2) Non-Swivel Caster
- C. (8) Screw



### Step 1:

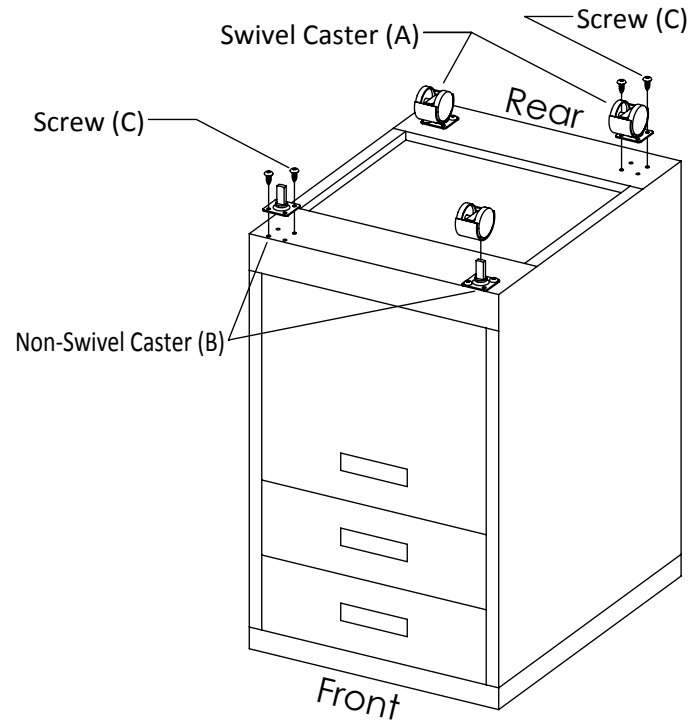
- Carefully place file cabinet upside down on a clean, smooth surface.

### Step 2 - Attach Swivel Casters:

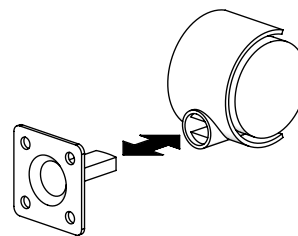
- Align screw holes in Swivel Caster (A) mounting plate with screw holes in bottom at rear of file cabinet. (Figure 1)
- Attach using two screws (C) with Phillips head screwdriver. Position screws in opposing corners.
- Repeat with the other Swivel Caster.

### Step 3 - Attach Non-Swivel Casters:

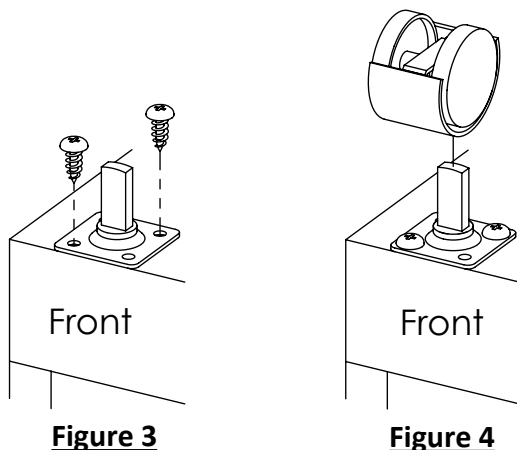
- Pull Non-Swivel Caster (B) off mounting plate. (Figure 2)
- Align holes in mounting plate with screw holes in bottom at the front of the cabinet. (Figure 1 & 3)
- **IMPORTANT: Position of mounting plate is important for proper installation. See exaggerated image for proper position.** (Figure 3 & 4)
- Attach using two screws (C) with Phillips head screwdriver. Position screw in opposing corners. (Figure 3)
- Push non-swivel caster back onto mounting plate. (Figure 4 & 5)
- **IMPORTANT: Position of non-swivel caster is important for proper function and safety. The non-swivel caster must extend out past the front of the cabinet.** (Figure 5)
- Repeat with the other non-swivel caster.
- Carefully place file upright.



**Figure 1 - Cabinet & Caster Assembly**

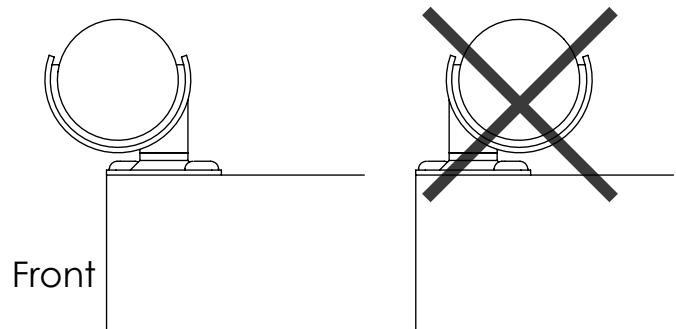


**Figure 2 - Non-Swivel Caster (B)**



**Figure 3**

**Figure 4**



**Figure 5 - Non-Swivel Caster, Side View**