

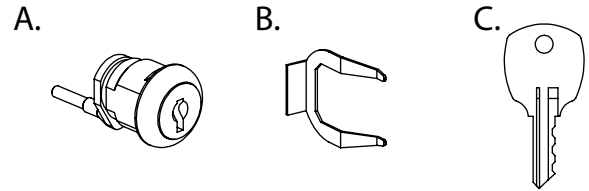
19"/22" Pedestal: Lock Replacement Instructions

IMPORTANT! Use caution near sheet metal corners and edges which may be sharp.

BEFORE YOU BEGIN

Open, identify, and count all parts prior to assembly.

- A. (1) Lock
- B. (1) Spring Clip
- C. (2) Key

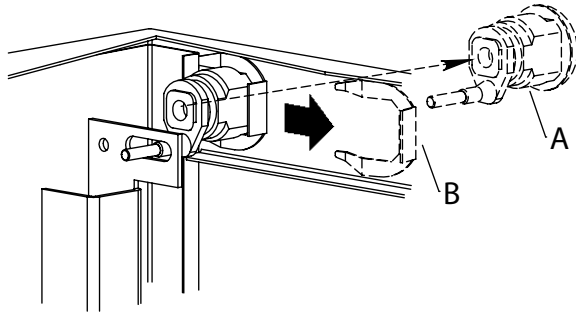


TOOLS REQUIRED

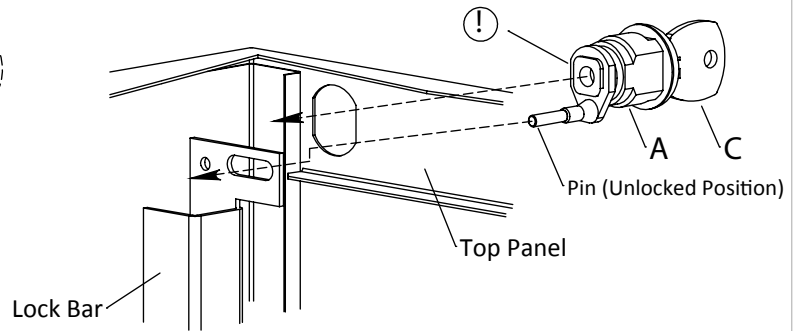
- 1. Flat Head Screwdriver
- 2. Pliers

IMPORTANT! Read all instructions before proceeding.

1. Remove the Spring Clip (B) with a flat head screwdriver from back of Lock (A) and remove Lock (A).

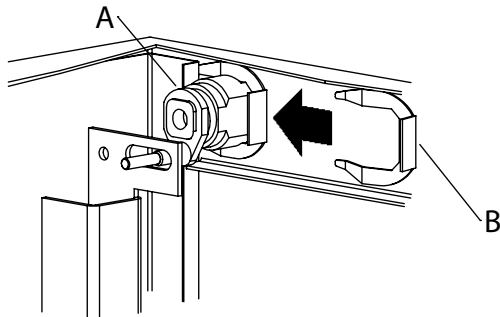


2. Install the Lock (A) and Key (C) through hole in the top panel and align the pin to fit through the slot on the lock bar.



⚠ Key must turn counter-clockwise to lock.

3. Install the Spring Clip (B) into the two grooves located on the rear of Lock (A). Use a pair of pliers to complete Spring Clip (B) installation.



4. Final Lock Assembly

