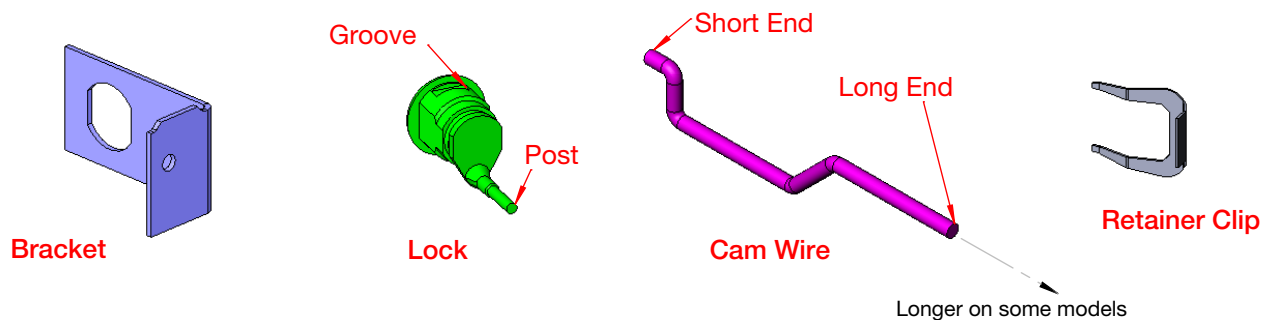
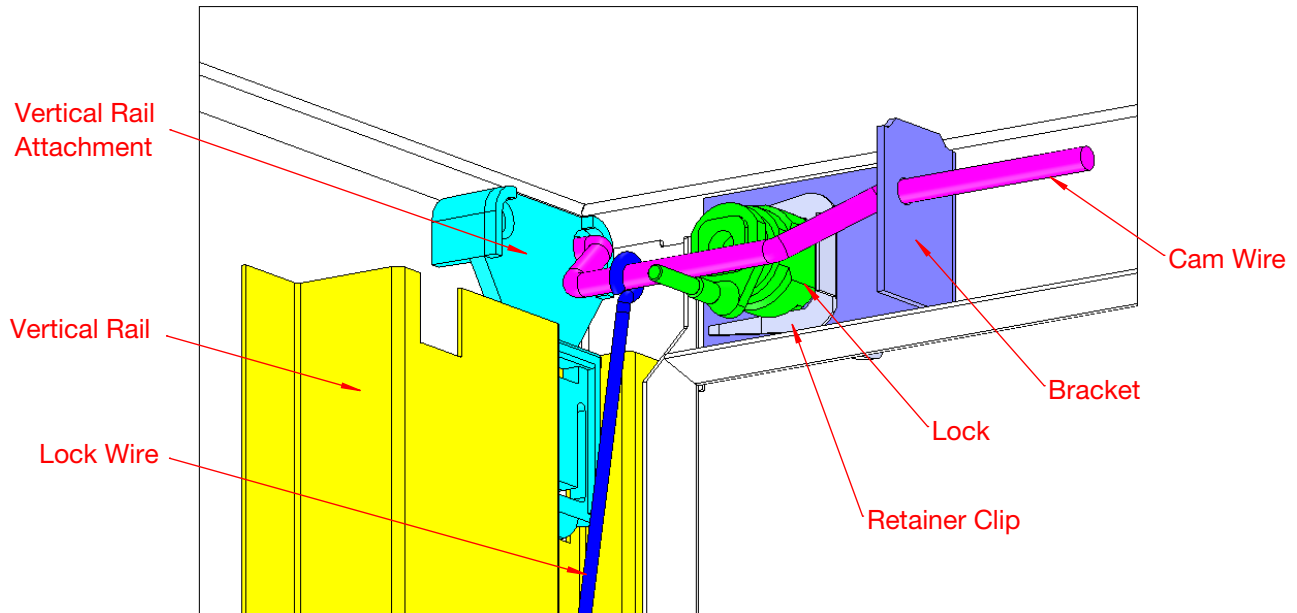


Lock Installation Instructions for 30" Wide HL1000 Series, HL8000 Series, and HL10000 Series Laterals



To install a new lock in your Lateral File:

1. Remove the old parts except the Lock Wire.
2. Slide the eyelet of the Lock Wire over the Short End of the Cam Wire as shown.
Note: Depending on which model you have, your cabinet may have a short Cam Wire or a long Cam Wire. Pictured above is the short Cam Wire.
3. Place the Bracket on the Long End side of the Cam Wire as shown.
4. Insert the Short End of the Cam Wire into the hole in the Vertical Rail Attachment.
5. Insert the Lock through the hole in the Top Panel, and through the Bracket. Make sure the post on the lock is underneath the Cam Wire.
6. Slide the Retainer Clip into the grooves on the Lock as far as it will go. (It will take some force to install the Retainer Clip. Avoid sheet metal edges which may be sharp.)